

QLOCKTWO[®] LARGE

Enjoy time

Instructions for Use



Please read through the instructions carefully for the safe use of the QLOCKTWO LARGE and to ensure its long useful life and keep them in a safe place. The Instructions for Use are also available online: www.qlocktwo.com → Information

1. Safety Instructions



Please read the Instructions for Use carefully before assembling and using your clock in order to exclude injury to persons and damage to property.

1.1 Scope of delivery

Unpack and check scope of delivery; see the mounting template.
Contact your specialised dealer in the event of missing or damaged parts.

1.2 Transport and storage

IMPORTANT Please note the following in order to avoid material damage:

- Use the original packaging.
- Avoid knocking, shaking and vibrating during transportation.
- Two persons must transport the clock. The QLOCKTWO LARGE weighs approx. 25 kg.
- Store in dry rooms at room temperature and low humidity.

1.3 Place of installation

IMPORTANT Please note the following in order to avoid material damage:

- Do not use the clock in rooms where humidity is high (e.g. bathrooms).
- Make sure the clock is placed out of the reach of children and animals.
- Do not place the clock directly adjacent to or onto hard drives, computers, mobile phones, credit cards or other electronic components that react sensitively to magnets.
- Position your QLOCKTWO LARGE so that it cannot fall down in the event of unintentional knocks or pulling of the cables.
- Avoid direct heat radiation, for example heat from radiators.
- Avoid direct sunlight.

1.4 Cleaning

CAUTION Polishing cloths and solvents (e.g. turpentine or benzene), and detergents containing alcohol (e.g. spirit) may damage the surfaces.

Brushed stainless steel front cover (STAINLESS STEEL):

- Remove slight stains with the microfibre cloth (included with delivery).
- Remove stubborn stains with a suitable stainless steel cleaner.

Coated stainless steel front cover (BLACK-, WHITE-, RED-, GREY PEPPER, HAZELNUT):

Remove dirt with a soft cloth and water containing a little dishwasher detergent.

Front cover GOLD, SILVER & GOLD, RUST, RAW IRON, VINTAGE COPPER, METAMORPHITE:

Carefully dust the surfaces with a soft, dry, dust-free cotton cloth or with a soft, fine brush without applying any pressure.

1.5 Maintenance and repairs

Never attempt to repair or dismantle your QLOCKTWO LARGE yourself. Have a specialised dealer or the manufacturer carry out maintenance and repair. See the last page of these Instructions for Use for contact details.

1.6 Warranty

The warranty is valid for two years. Only use your QLOCKTWO LARGE with original accessories. Failure to observe the information in these Instructions for Use or modifying, opening or altering your QLOCKTWO LARGE will not be covered by our warranty.

1.7 Disposal

IMPORTANT Improper disposal pollutes the environment.



Electric appliances: Electric appliances may not be disposed of as household waste. Observe regional disposal regulations. Dealers are obliged to take back appliances.



Stainless steel: Stainless steel components are to be recycled as scrap metal. Stainless steel is a valuable raw material which can be melted and reused.

2. Assembly and Connections

2.1 Safe mounting of the clock



WARNING

Serious to fatal injury caused by electric power

- Do not pull electric cables; only pull out the plugs.
- Lay cables so that they cannot be bent or get caught and are not found in passages.
- Check all cables for visible damage before connecting them to the power supply.
Do not connect your QLOCKTWO LARGE to the power supply in the event of any damage.
- Have electrical connection carried out by electricians.
- Cut off the power supply and check to ensure that there is no voltage before commencing with wall mounting.
- Comply with acceptable electric data for the power supply, see Section 4 on "Technical Data".
- Do not touch cables and plugs with wet hands.

The plug of the power supply unit serves as a disconnecting device from the mains supply. The socket must be located close to the QLOCKTWO LARGE and be easily accessible.



WARNING

Serious crushing and knocks when dropped

- The QLOCKTWO LARGE weighs approx. 25 kg. Two persons must have a safe place to stand when the clock is mounted.
- Scaffolding or a lifting platform is to be provided, depending on the mounting height.
- Choose a standing area height so that the persons can safely hold and mount the QLOCKTWO LARGE.
- When inserting the QLOCKTWO LARGE into the wall mounting bracket, make sure that all four suspension bolts are located in the holders and that the QLOCKTWO LARGE engages in the wall mounting bracket.

IMPORTANT Please note the following in order to avoid material damage:

- Observe the load-bearing capacity of the chosen wall and select a suitable fastener for this wall, e.g. dowels and screws for brickwork.
- No supply lines may be present near the drill holes.
- If you feel resistance when hanging your QLOCKTWO LARGE into the wall mounting bracket (e.g. as a result of unfavourably positioned cables), do not use force to press or turn your QLOCKTWO LARGE into the right position. The mains plug can be damaged if the QLOCKTWO LARGE does not engage properly in the wall mounting bracket.
- Use cotton gloves (included with delivery).

2.2 Wall installation

Power supply from a wall connection:

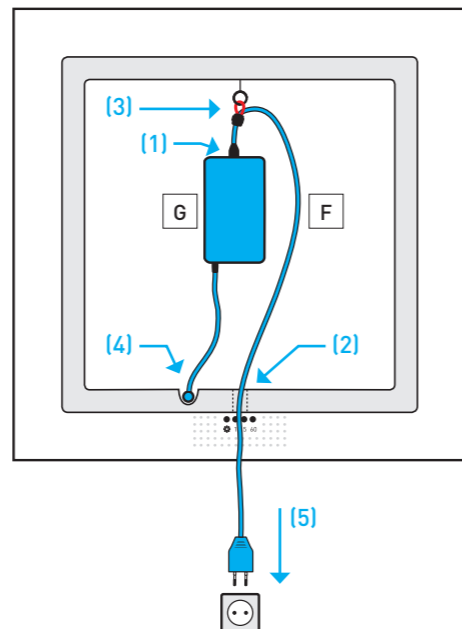
Wall mounting and electrical connection with a wall connection, see the mounting template.

Power supply from a power socket:

Wall mounting, see mounting template.

Proceed as follows for an electrical connection using a power socket:

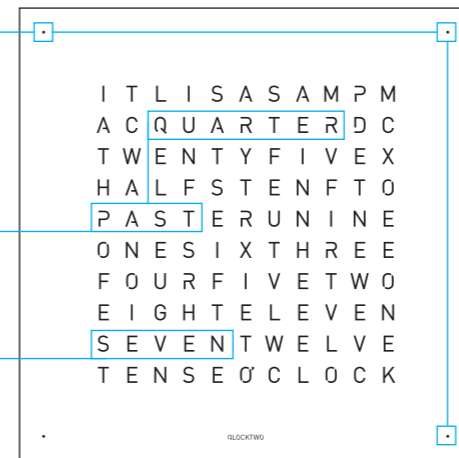
- Guide the small plug on the mains cable (1) through the cable duct of the wall mounting bracket (2) and plug it into the power supply.
- Push the cable relief of the power supply unit into the cable suspension (3).
- Connect the plug of the power supply to the connection socket of the QLOCKTWO LARGE (4).
- Plug the mains plug into a wall socket (5).



3. Functions and Operation

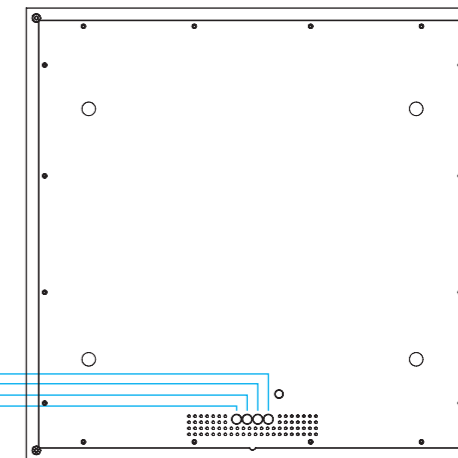
3.1 Time display and control elements

Time of day shown: 07:18



- Hour display
Set with button [60]
- Display in 5-minute steps
Set with button [5]
- Each light point
= 1 minute later
Set with button [1]

Control element



- [☀] button
Brightness setting
- Button [1]
1-minute steps
- Button [5]
5-minute steps
- Button [60]
Hourly steps

3.2 Information on setting a time

QLOCKTWO LARGE can also be set from the front with some instinctive feeling. Touching the [1] 1-minute step button will set the internal counter for seconds at zero. This makes it possible to set the time precisely to the second.



Switching the "IT IS" display on/off:

- The factory setting shows the introductory words "IT IS" for full hours and half hours.
- If "IT IS" is always shown: Keep button [60] pressed for approx. 3 seconds.
- Restoring the factory setting: Keep button [60] pressed for approx. 3 seconds.



Switching the second display on/off:

The seconds appear in large numbers on the front cover.

- Switching the second display on: Keep the [⊗] button pressed for approx. 1 second.
- Switching the second display off: Press any button.



Setting the brightness:

The brightness level adapts automatically to the surrounding light in the "automatic mode" (factory setting).

The level of brightness can also be set manually.

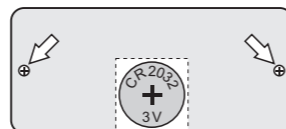
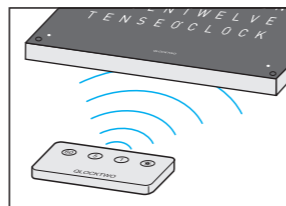
- Press button [⊗] repeatedly.
 - The settings will change as follows:
 - Maximum brightness
 - Strong brightness
 - Medium brightness
 - Low brightness
 - Automatic mode (minute dots in the corners light up briefly)

3.3 Infrared remote control (Optional accessories)

Operation:

Settings can all be made with the remote control.

- Hold the remote control underneath the QLOCKTWO LARGE.
 - The infrared receiver is located on the bottom of the casing back.
- Make settings with the remote control.
 - The function of the buttons corresponds to the keys on the back of the casing.



Replacing the battery:

The remote control is operated with a lithium button cell (CR2032).

If the transmitting power is low, replace the remote control battery.



Danger- and disposal instructions

- **IMPORTANT** Button cells must be kept out of the reach of children. Medical assistance shall be called upon immediately if button cells are swallowed.
- Immediately remove all low powered batteries and dispose of them in accordance with applicable environmental regulations. Replace battery with identical type only.
- If the battery compartment does not close securely, do not use the product and keep it away from children.

3.4 Setting the time of day with an app

The time of day can be transferred easily and accurately to the second to your QLOCKTWO LARGE with many smartphones by using the free FLASHSETTER app. More information available at: www.qlocktwo.com/flashsetter

3.5 Power failure

The time of day continues to change for approx. 24 hours in the event of power failure. The current time of day will be shown automatically when the power supply has been restored.

4. Technical Data

Model:	QLOCKTWO LARGE
Dimensions QLOCKTWO LARGE (H × W × D):	900 × 900 × 32 mm
Wall mounting bracket dimensions (H × W × D):	710 × 710 × 38 mm
Weight:	approx. 25 kg
Ambient temperature:	+15 °C to +30 °C
Remote control, battery:	CR 2032, 3V
Precision:	±8 seconds/month

WARNING 100% functionality with included power supply. Only an 18 V power supply unit (54 Watt or sufficiently dimensioned) with the positive pole in the middle of the plug is suitable for this device. Connecting other power supplies could damage the unit.

Power supply unit, input:	AC 100 V – 240 V ~ 50/60 Hz, 1.5 A
Power supply unit, output:	DC 18 V = 3.0 A
Connection:	ø 5.5 × 2.1 mm
QLOCKTWO LARGE, input:	DC 18 V = 400 mA



Technical data errors and modifications excepted.
No liability is assumed for misprints and errors.

QLOCKTWO Manufacture GmbH
Alemannenstr. 65, DE-73529 Schwäbisch Gmünd
Made in Germany / © All rights reserved
www.qlocktwo.com