

FROST

DENMARK

NOVA2 CARE ARM SUPPORT

Fitting instruction
Montageanleitung
Monteringsvejledning
Monteringsvægledning
Montage hanleiding
Manuel de montage

N1961

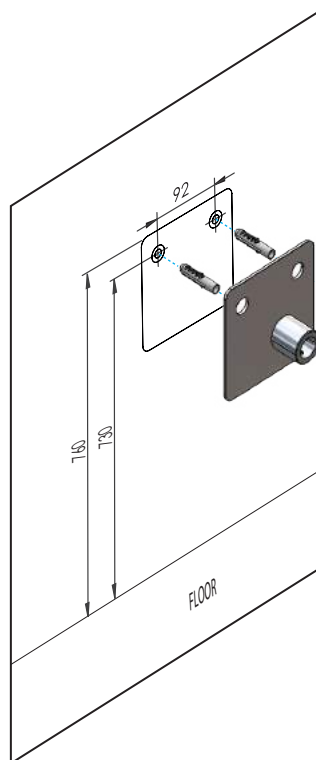
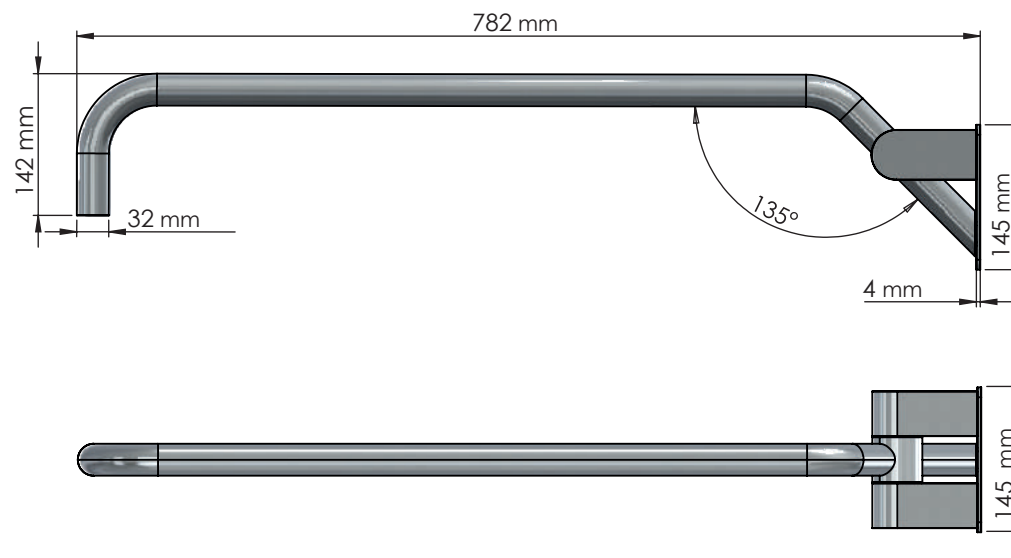


Exclusion of liability

FROST accepts no liability whatsoever for damage to persons or property that occurs or has occurred as a result of improper installation or maintenance, particularly if the safety instructions and other points to note listed are not or have not been observed in full.

Warning and hazard notices

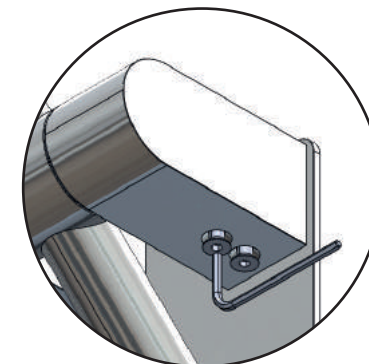
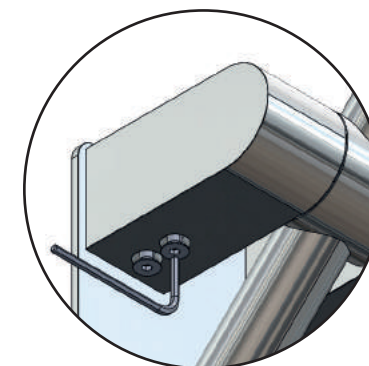
Improper mounting or use can lead to accidents involving serious injuries.



Before installing, the installer must ensure that the material and strength of the wall are sufficient. FROST CARE products must be mounted on a solid or reinforced wall.

Recommended installation height: 73 cm (bracket holes). 76 cm (top of bracket)

Recommended user height: 80 cm (top of armrest)
If any other user height is required, simply position the holes of the bracket 7 cm below the required height.



Operating Buk
Bedienung Bedienung
Betjening Emploi



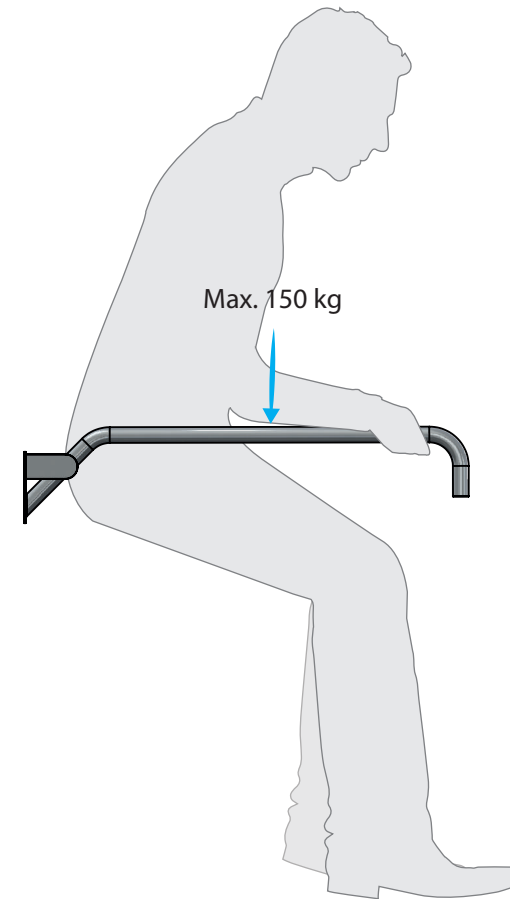
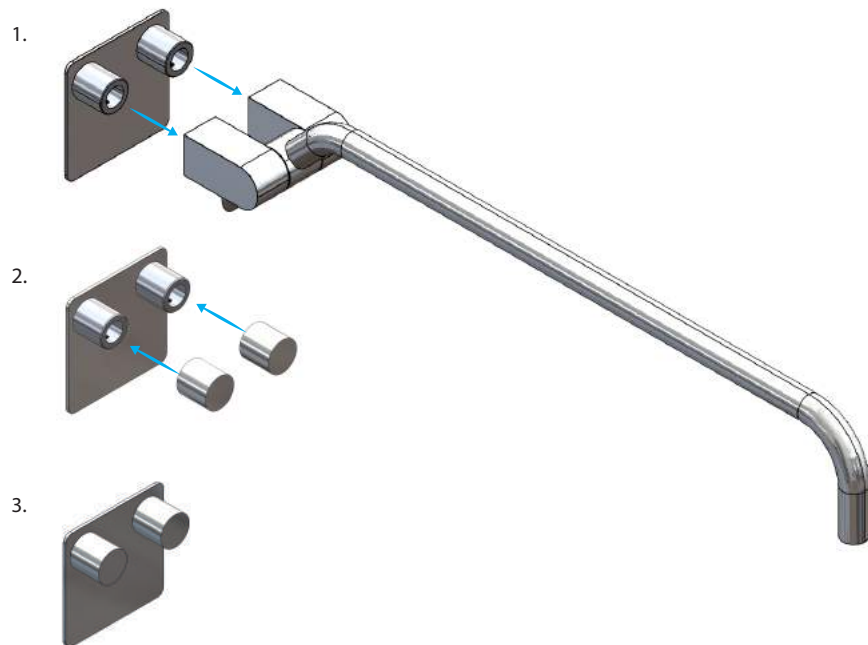
Cleaning and maintenance

Stainless steel surfaces should be cleaned with a microfibre cloth, glass cleaner or other non abrasive and gentle agents.

Attention:

Never use solvents or aggressive household cleaners like bleach, acids (e.g. descalers) or ammonia-based bathroom cleaner to clean the product. Steel wool and hard brushes can permanently damage the surface of the steel.

COVER FOR ARM SUPPORT - N1961-1 (Additional use)



Tested by everyday life

To ensure that the arm rest is capable of withstanding heavy load and conditions every day, the product has been tested in accordance to the requirements of the European standard for technical aids for disabled, BS/EN 12182:2012. This includes a static proof load test with 150 kg, following by a static overload test with 225 kg.

We recommend all FROST CARE products are installed on a solid wall. Reinforcement should always be used if the wall is not stable. All tests are carried out on products mounted on a solid wall, thus we cannot guarantee the same performance and durability if this is not observed.

This product has a maximum weight capacity of 150 kg.

For safety reasons, we recommend to check all bolt connections to ensure that no parts are loose and that all attachment to the wall are intact.

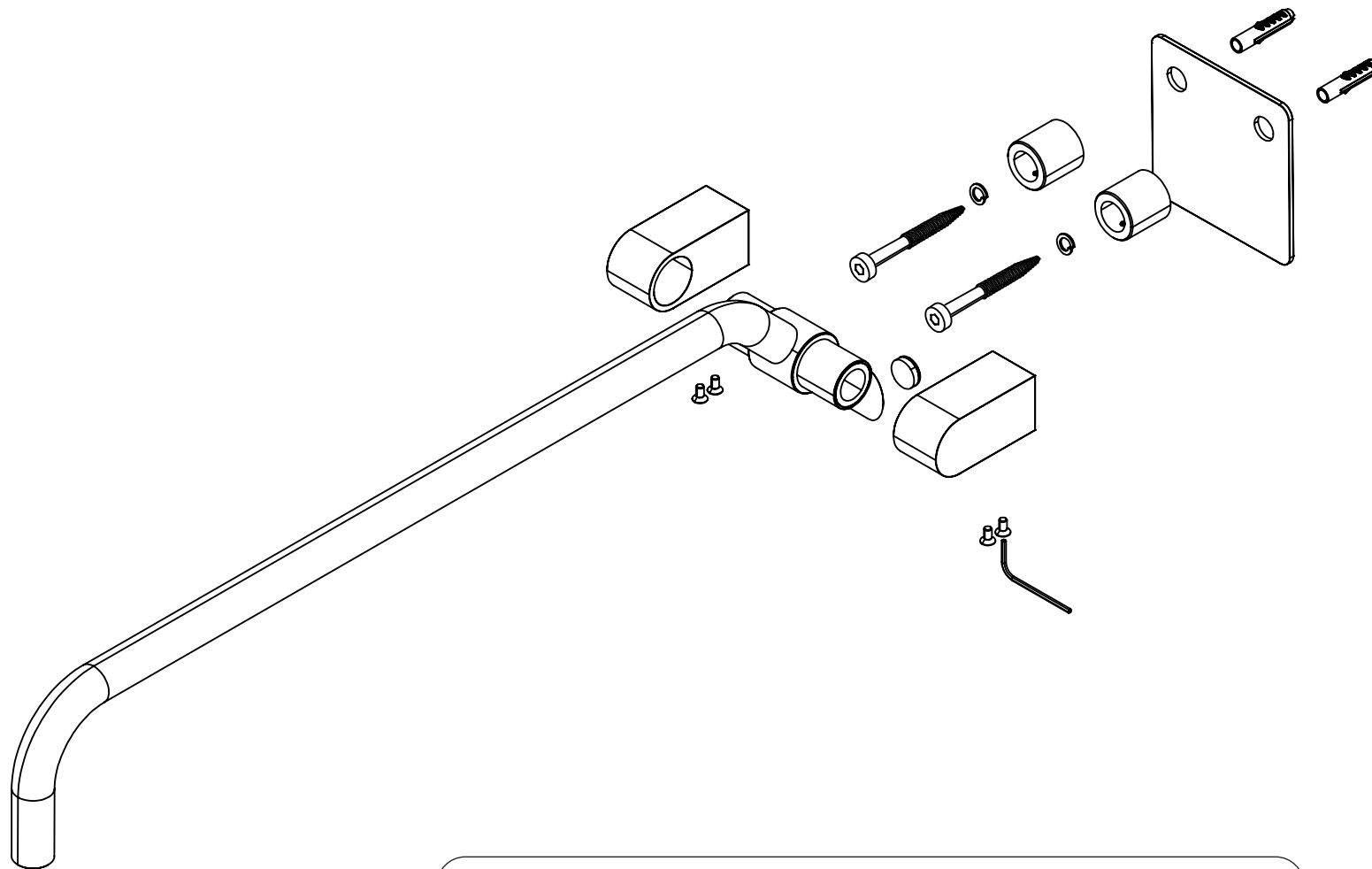
FROST

DENMARK

Bavne Allé 32
DK-8370 Hadsten
+45 8761 0032
info@frost.dk

www.frostdenmark.com

ARM SUPPORT



N1961
» Brushed



O1961
» Polished



N1961-C
» Polished Copper



N1961-C
» Polished Gold



N1961-BOC
» Brushed Copper



N1961-BMG
» Brushed Gold



N1961-B
» Matt Black



N1961-W
» Matt White



N1961-BCB
» Brushed Black



Material: Stainless steel, AISI 304
Design: Bønnelycke mdd
Manufacturer: FROST A/S

A

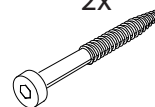
2x



Ø14 x 75

B

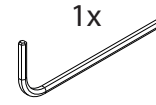
2x



M10 x 115

C

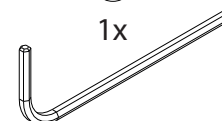
1x



4MM

D

1x



8MM