

CONGRATULATIONS ON YOUR VIPP TABLE

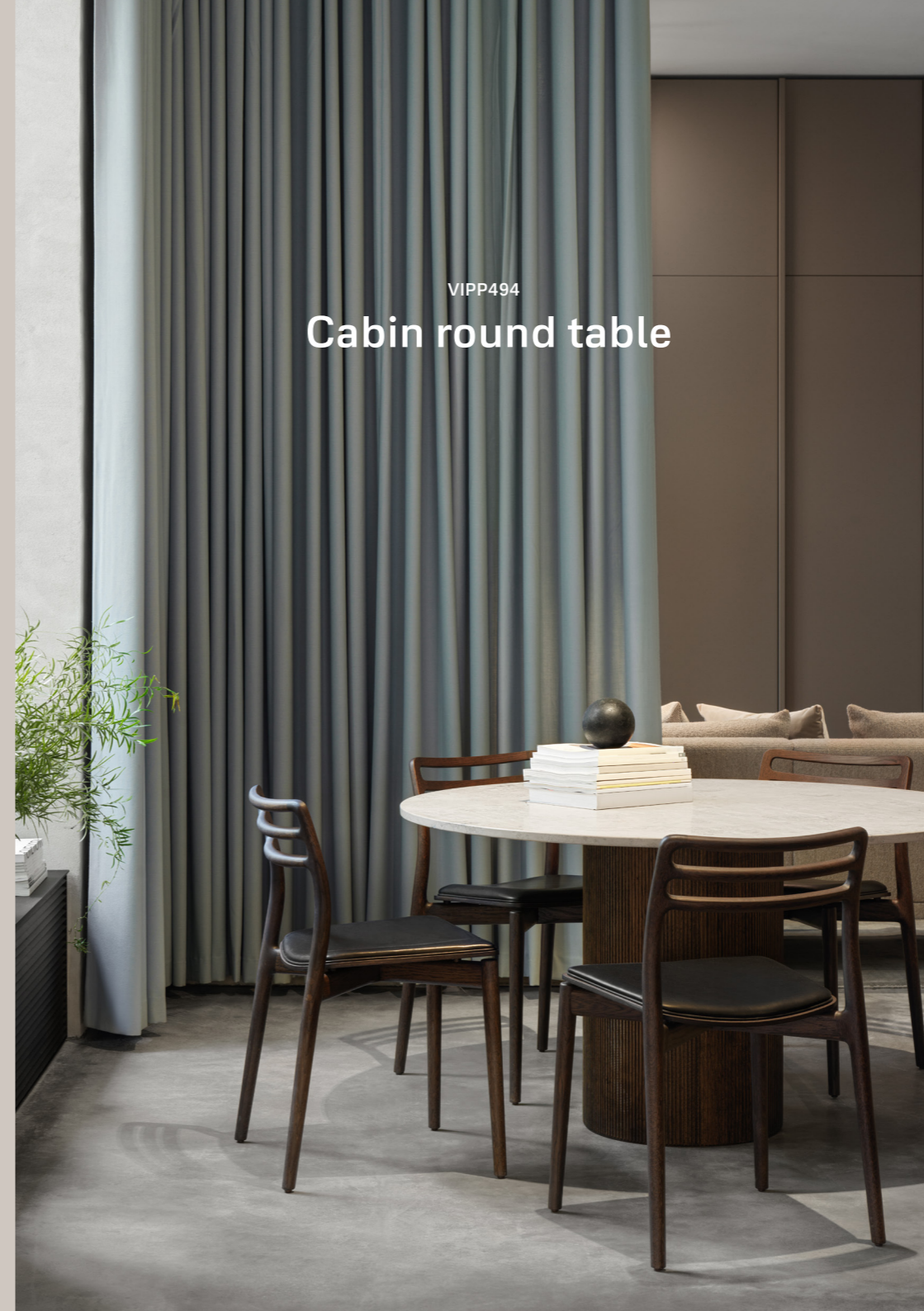
A Vipp product is crafted from a design heritage dating back to 1939, founded in an ambition to create timeless, functional products. The Cabin series is the first solid wood furniture collection by Vipp, marking an evident step towards welcoming organic materials into the product range.

Like all Vipp products, a Vipp table is made to last. Just like the first Vipp pedal bin from 1939.

We hope you will enjoy your Cabin round table for many years to come.

Kasper Egelund
CEO of Vipp and grandson of founder, Holger Nielsen

vipp



VIPP494

Cabin round table

MORTEN BO JENSEN, CHIEF DESIGNER AT VIPP

'Envisioned to last through generations, the Vipp Cabin table is crafted from durable, natural materials. Its round shape supports conversation while everyday wear and tear will manifest as social memories.'

PRODUCT DESCRIPTION

The Vipp Cabin round table is a part of the Vipp Cabin series, a collection of complementary furniture crafted from natural materials. This table is characterised by its round shape and refined detailing. The cylinder base is composed of carved oak and carries a marble tabletop.

Materials

Solid oak base with a light oiled or dark lacquered surface. Tabletop of marble treated with a surface treatment.

CARE INSTRUCTIONS

We recommend caring for your Vipp Cabin round table to preserve its natural appearance for many years to come. Oak and marble are organic materials and should be treated with care. Follow the care instructions to prevent devitalisation from everyday wear and tear.

General care

Wipe down the table with a damp, soft cloth added a mild PH-neutral detergent. Avoid using sponges or similar coarse cloths for cleaning as this might leave scratches. Do not use acidic cleaning agents as this will damage the surface and leave permanent stains. Make sure to remove spilled liquids immediately or it will leave stains. In case of permanent stains, please contact a professional for further instructions.

Grease and stains

Carefully remove stains with a cloth and a solution of water and PH-neutral soap flakes. Do not use sandpaper or similar as this might damage the protective layer of the surface.

Oiled oak

For oiled oak surfaces a thorough maintenance is necessary. Use oil treatment 2-3 times a year or when needed. Clean with soap flakes for general cleaning.

- Follow the instructions of the oil treatment carefully and make sure to clean the surface before getting started. After treatment, make sure to destroy the oil cloth by rinsing it in cold water or storing it in an airtight metal or glass container as oil cloths may self-ignite if stored incorrectly.
- Carefully sand with sandpaper in case of scratches. Do not use steel wool. Use grain 240 sandpaper or a soft sponge added a little oil. Always grind over a larger area to avoid a recess on the spot. When working with abrasive materials it is important to work along the veins of the wood, not across. Wipe off the oil immediately with a dry cloth.

Cleaning wood surfaces with soap flakes

1. Use ½ deciliter of soap flakes for a liter of hot water. Whip the soap flakes into the water.
2. When the water reaches room temperature, apply the foam with a soft cloth. Only use the foam, not the water, and avoid soaking the wood.
3. When the wood is dry, polish with a soft, dry cotton cloth.

NOTE

We recommend saturating wood surfaces with a solution of water and dissolved, PH-neutral soap flakes (every 4-6 months to preserve its long-lasting appeal). Patina will develop over time.

Marble

The marble tabletop is sensitive and should be treated cautiously. Gentle, regular cleaning is recommended. Dust off the surface regularly and wipe down the marble with a damp cloth when needed. If necessary, add a mild, PH-neutral detergent. Remove the detergent with a clean damp cloth.

- Marble is a limestone and does not tolerate any kind of acid (juice, wine, ketchup etc.) Always use coasters for drinking glasses and rivets for hot items to keep your table beautiful and free from marks and stains.
- Remove the stain immediately using a lint-free cleaning cloth with warm water and a mild PH-neutral detergent. Avoid using dusting sprays or abrasive cleaners. In case of permanent stains contact a professional for further instructions.

WARRANTY

Vipp offers warranty on products according to national laws and regulations. The warranty does not cover defects or damage caused directly or indirectly by misuse or poor maintenance, violence or manipulation.

The warranty presupposes rightful use as described in Vipp's care instructions, which can be found in this folder or under the specifications of each product at vipp.com. In case of a defective product, please contact your place of purchase.

For questions regarding your Vipp product:

Europe | info@vipp.com | +45 4588 8800

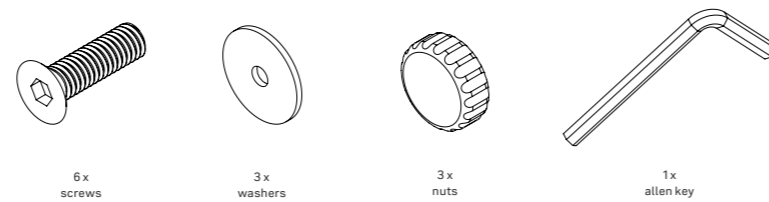
US | vippusa@vipp.com | +1 (917) 580 2148

ASSEMBLY GUIDE

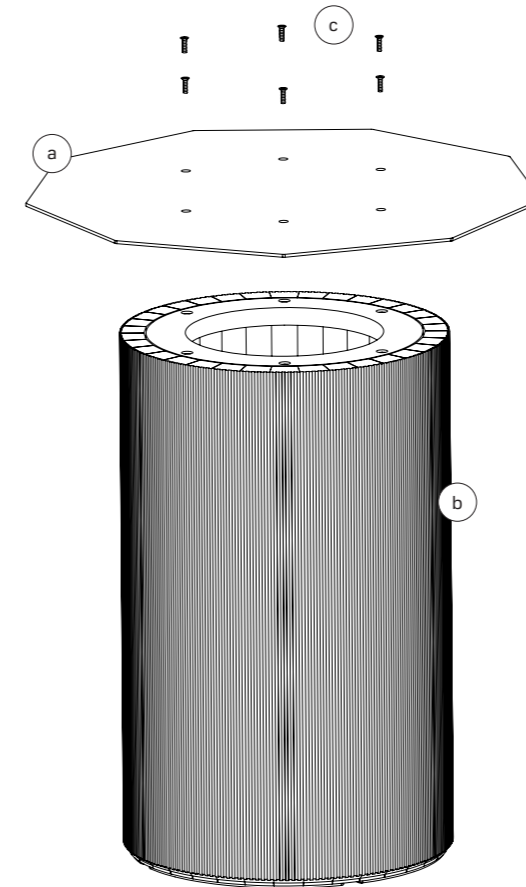
Please follow the guide to ensure correct assembly. If you experience problems, please do not hesitate to contact Customer Service at info@vipp.com.

Make sure the table base is placed in the desired location before mounting the tabletop.

1. Place the metal plate (a) on top of the table base (b). Mount the plate by tightening the 6 screws (c).
2. Mount the tabletop (d) onto the metal plate by locking the 3 washers (e) with the nuts (f).



1.



2.

