

FROST

DENMARK

NOVA2 SOAP DISPENSER 3

Fitting instruction
Montageanleitung
Monteringsvejledning
Monteringsvægledning
Montage hanleiding
Manuel de montage

N1939



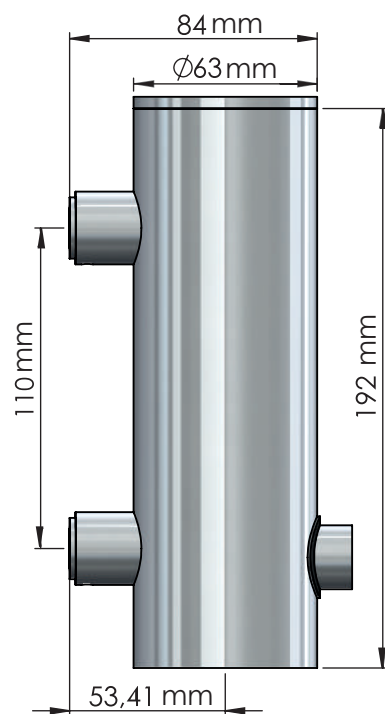
Exclusion of liability

FROST accepts no liability whatsoever for damage to persons or property that occurs or has occurred as a result of improper installation or maintenance, particularly if the safety instructions and other points to note listed are not or have not been observed in full.

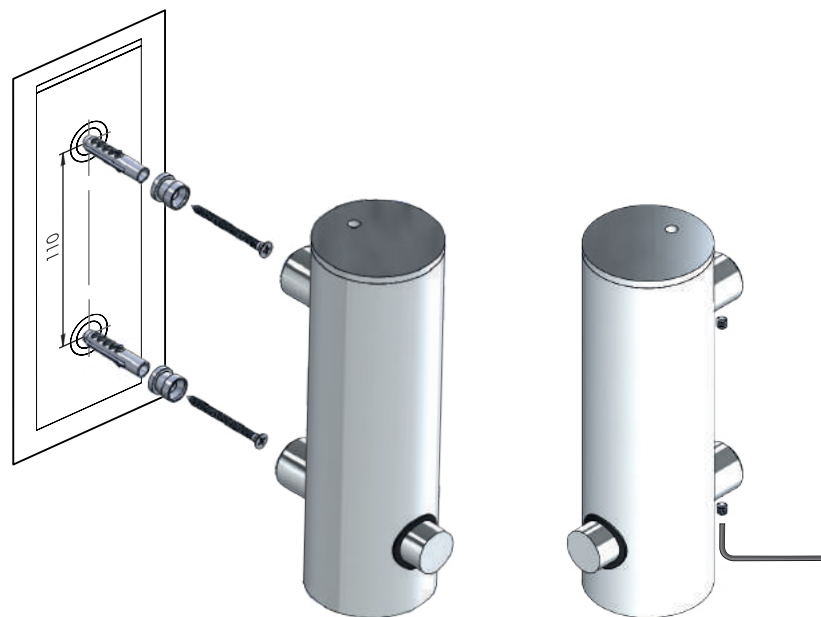
Warning and hazard notices

Improper mounting or use can lead to accidents and serious injuries.

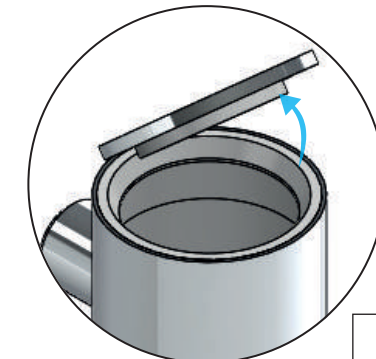
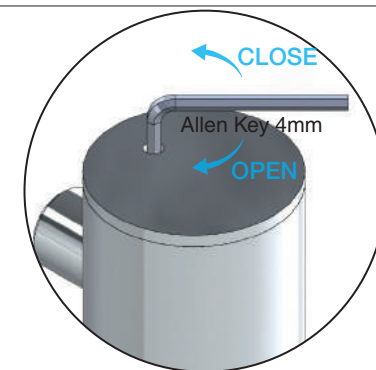
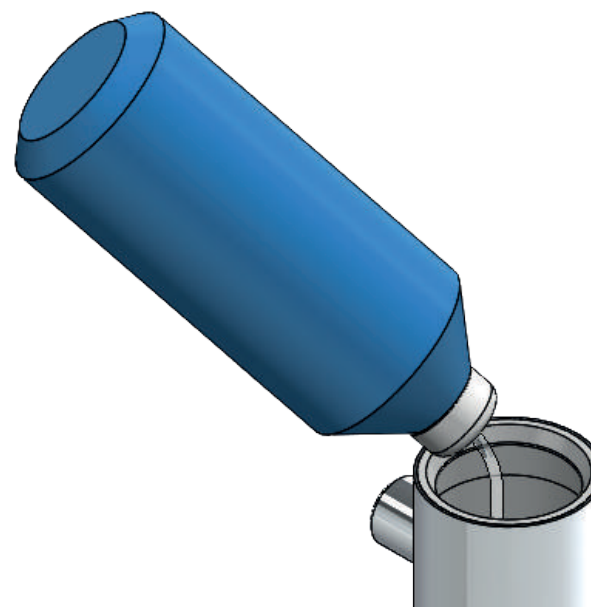
200 ml



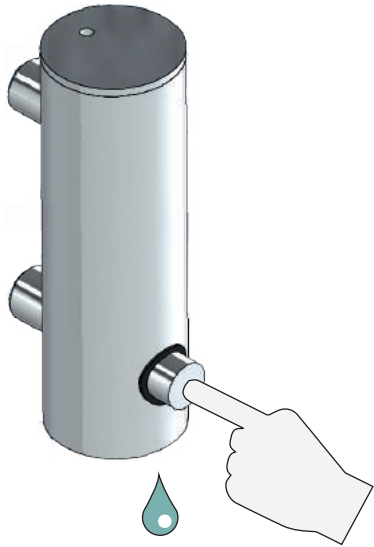
NOTE: Do not mount the dispenser in the shower.



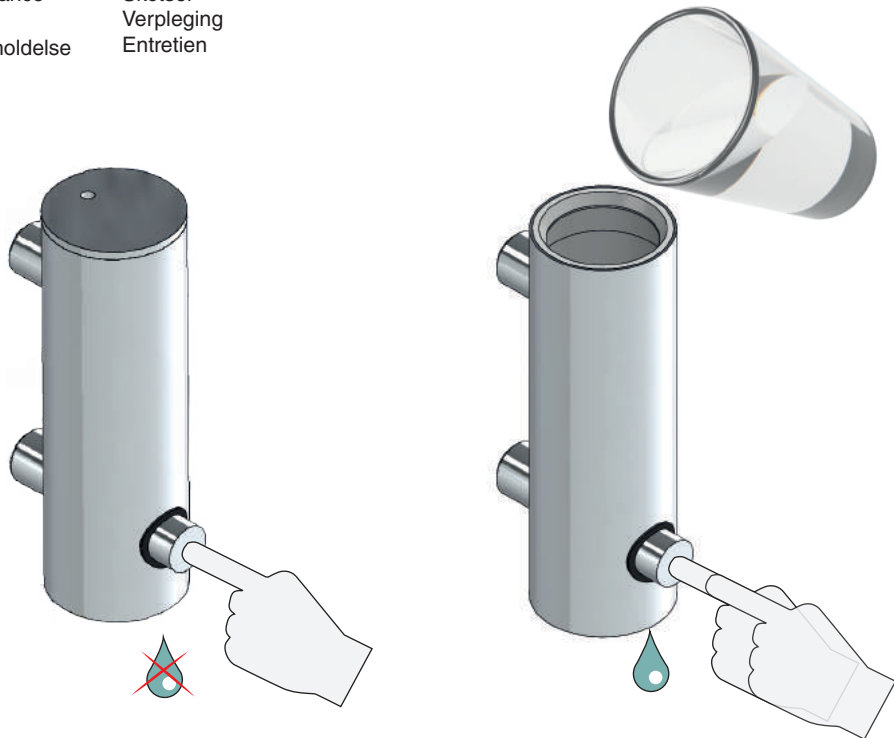
NOTE: Always use liquid with low viscosity, hence do not use shampoo, conditioner or shower gel etc.



Operating Buk
Bedienung Bedienung
Betjening Empleo



Maintenance Skötsel
Pflege Verpleging
Vedligeholdelse Entretien



MAINTAINING THE DISPENSER

- If the dispenser is not used for a long period of time and becomes clogged.
- Pour **ONLY** warm water into the dispenser and gently pump it to clear the blockage.
- **NEVER** try inserting a sharp object e.g. pin into the soap nozzle, which could irreparably damage the pump and void the warranty.
- **ONLY** clean inside the dispenser with warm water.
- **NEVER** use solvents or aggressive household cleaners like bleach, acids (e.g. descalers) or ammonia-based bathroom cleaner.
- To clean the outside of the dispenser, use warm soapy water or approved stainless steel cleaners.
- Should brown deposits appear around the lid or pump, remove with a brush or pan cleaning pad and soapy water.
- Hard deposits can be scratched off with your fingernail or a blunt knife.
- It is not exactly rust, and to avoid it, try changing to a milder liquid soap with a neutral PH

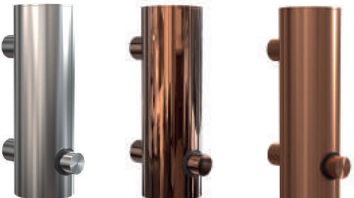
FROST

DENMARK

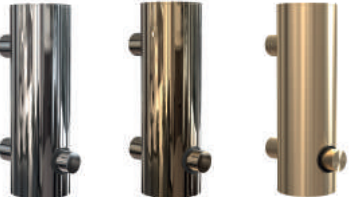
Bavne Allé 32 DK-8370
Hadsten
+45 8761 0032
info@frost.dk

www.frostdenmark.com

N1939 Brushed N1939-C Polished Copper N1939-BOC Brushed Copper



O1939 Polished N1939-GO Polished Gold N1939-BMG Brushed Gold



N1939-W Matt White N1939-B Matt Black N1939-BCB Brushed Black

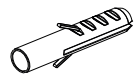


Material: Stainless steel, AISI 304
Design: Bønnelycke mdd
Manufacturer: FROST A/S

SOAP DISPENSER 3

(A)

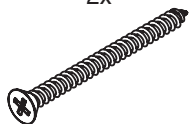
2x



Ø8x39.6

(B)

2x



5x60

(C)

2x



M5x5

(D)

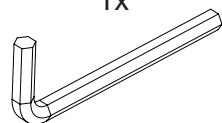
1x



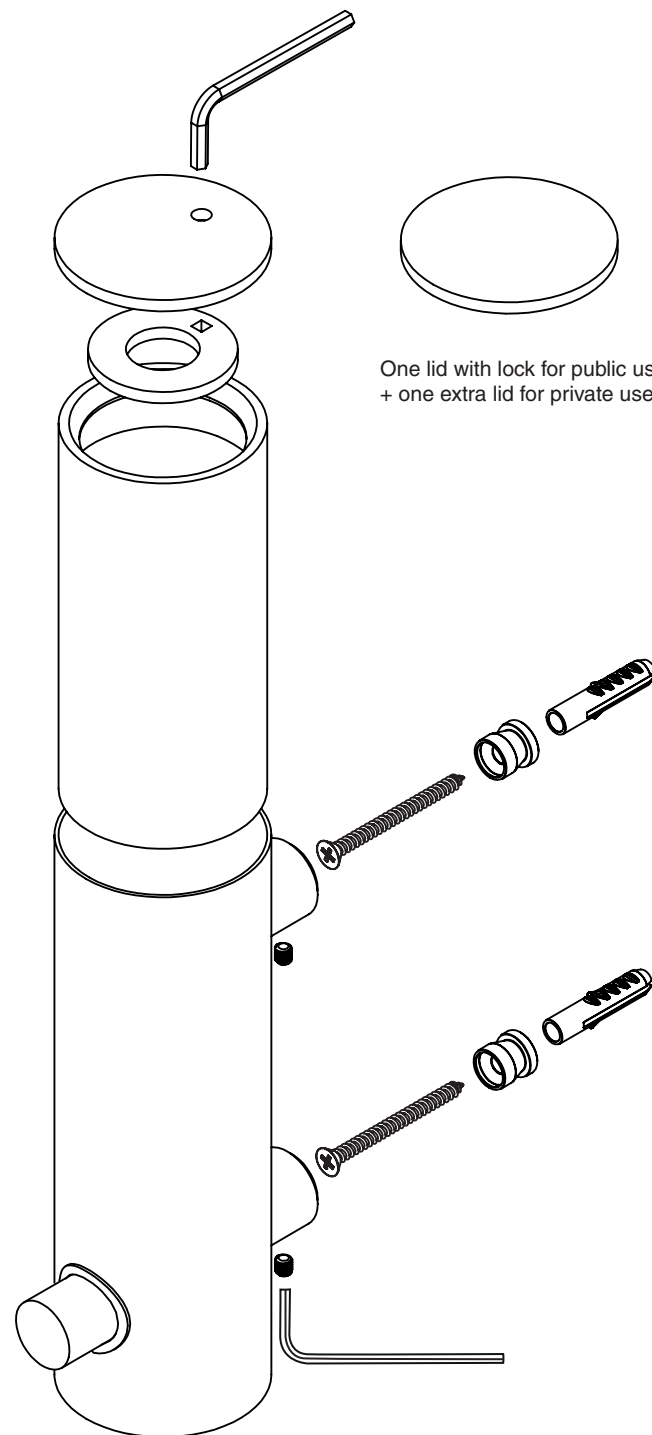
2,5MM

(E)

1x



4MM



One lid with lock for public use
+ one extra lid for private use.