

FROST
DENMARK

NOVA2
PAPER BIN

Fitting instruction

N1945



Exclusion of liability

FROST accepts no liability whatsoever for damage to persons or property that occurs or has occurred as a result of improper installation or maintenance, particularly if the safety instructions and other points to note listed are not or have not been observed in full.

Warning and hazard notices

Improper mounting or use can lead to accidents and serious injuries.

PAPER BIN, 12 litre

Suggested bag size:
500x600mm (30 litres)

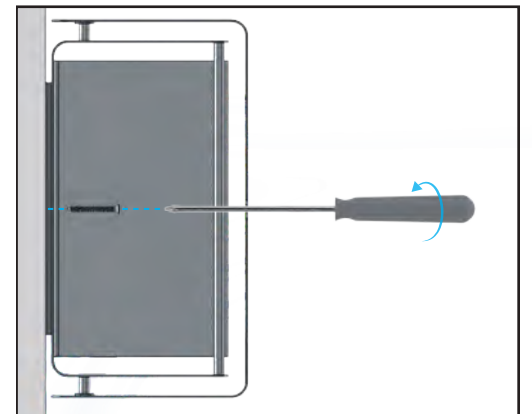
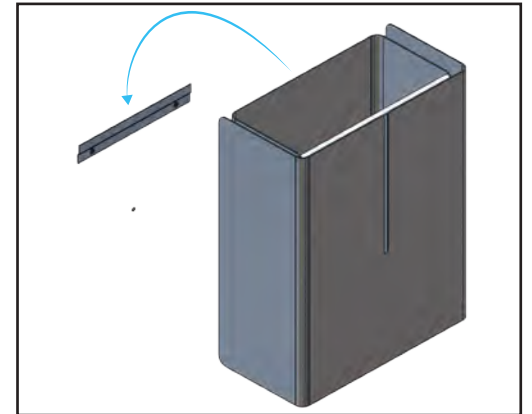
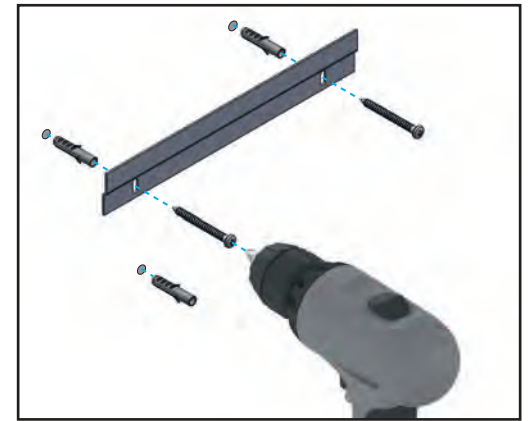
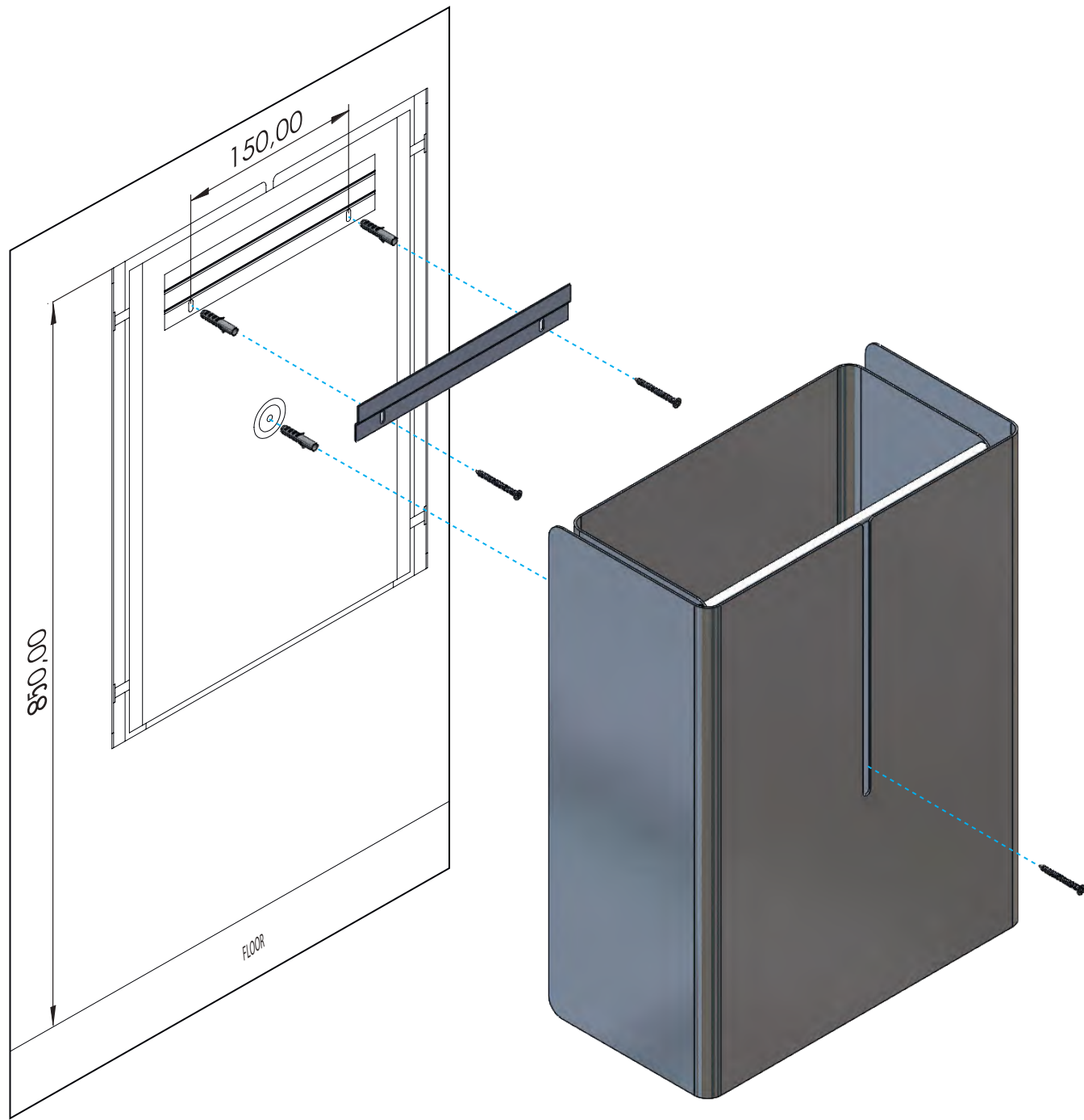


Cleaning and maintenance

Stainless steel surfaces should be cleaned with a microfibre cloth, glass cleaner or other non abrasive and gentle agents.

Attention:

Never use solvents or aggressive household cleaners like bleach, acids (e.g. descalers) or ammonia-based bathroom cleaner to clean the product. Steel wool and hard brushes can permanently damage the surface of the steel.



FROST

DENMARK

Bavne Allé 32
 DK-8370 Hadsten
 +45 8761 0032
 info@frost.dk

www.frostdenmark.com



Material: Stainless steel, AISI 304
Design: Bønnelycke mdd
Manufacturer: FROST A/S

