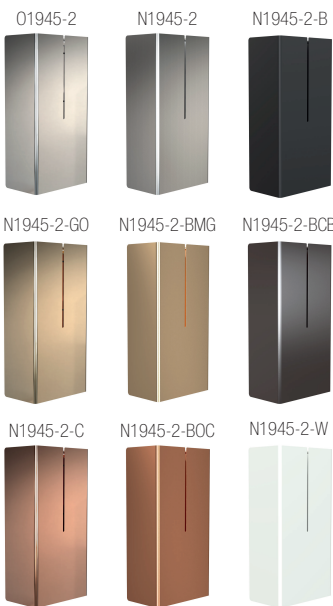


# FROST

DENMARK

## NOVA2 PAPER BIN 2

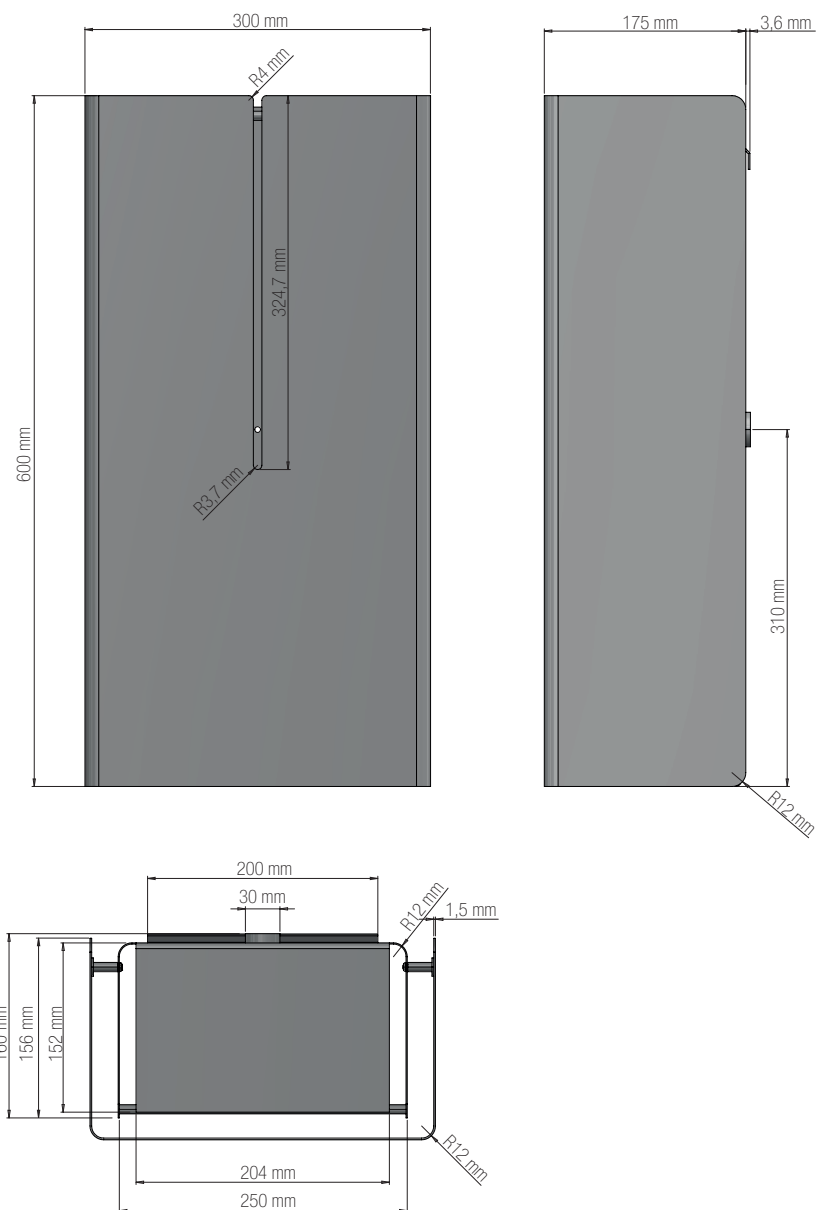
Fitting instruction



**Material:** Stainless steel, AISI 304  
**Design:** Bønnelycke mdd.  
**Manufacturer:** FROST A/S  
**FROST A/S**  
Bavne Allé 32, DK-8370 Hadsten  
+45 8761 0032 info@frost.dk  
www.frostdenmark.com

### PAPER BIN 2, 21 litre

Suggested bag size:  
600x850mm (50 litres)



#### Cleaning and maintenance

Stainless steel surfaces should be cleaned with a microfiber cloth, glass cleaner or other non abrasive and gentle agents.

#### Attention

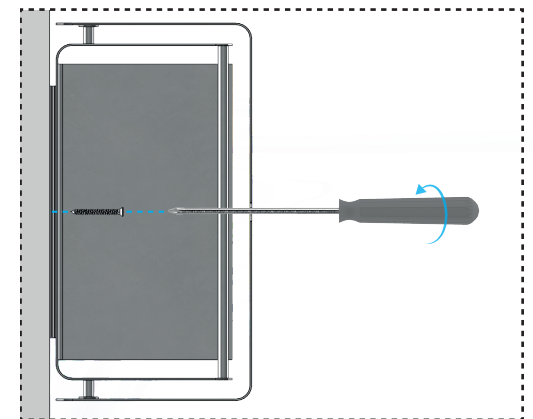
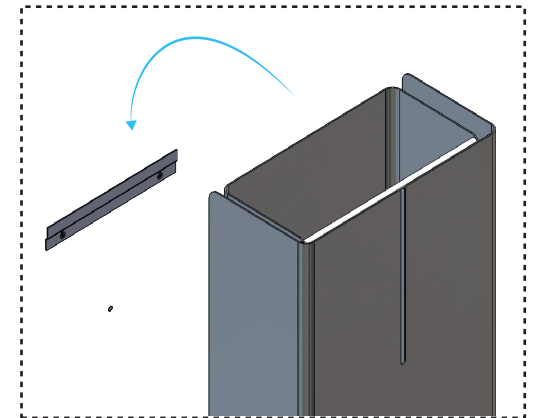
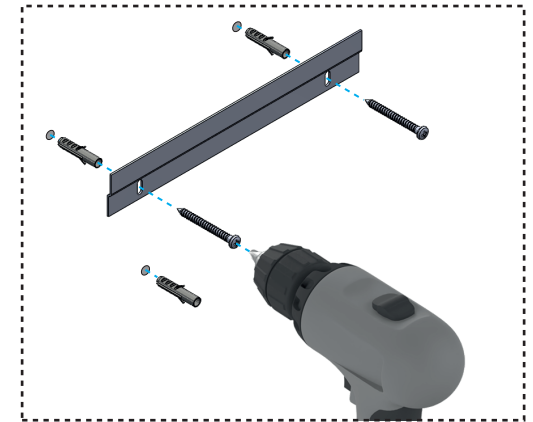
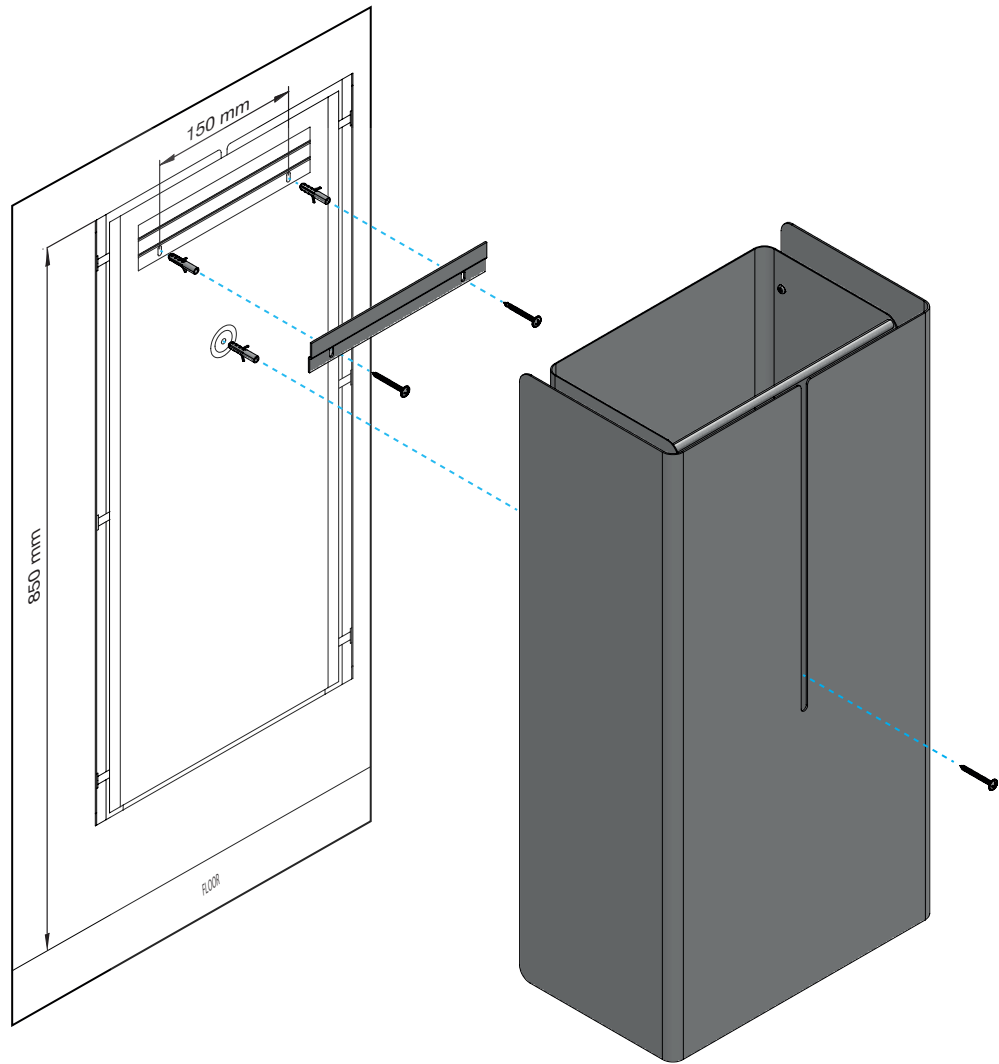
Never use solvents or aggressive household cleaners like bleach, acids (e.g. descalers) or ammonia-based bathroom cleaner to clean the product. Steel wool and hard brushes can permanently damage the surface of the steel.

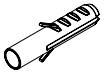

#### Exclusion of liability

FROST accepts no liability whatsoever for damage to persons or property that occurs or has occurred as a result of improper installation or maintenance, particularly if the safety instructions and other points to note listed are not or have not been observed in full.

#### Warning and hazard notices

Improper mounting or use can lead to accidents and serious injuries.



- |   |   |
|---|---|
| 3x  | 3x  |
|  |  |
| Ø6x30   | ST4x40  |
| (A)   | (B)   |