

FLOS

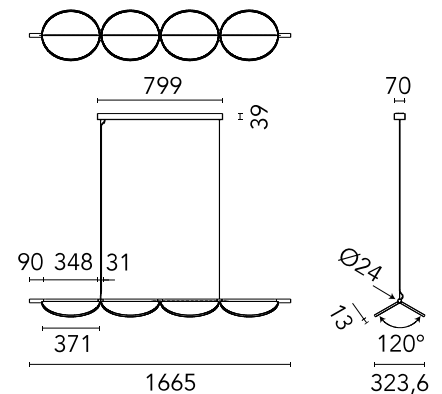
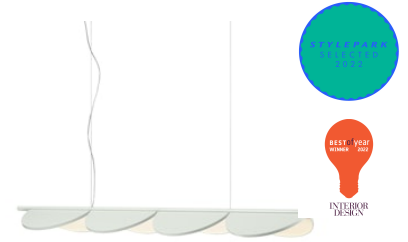
F0422009 Off-white

Almendra Linear Suspension 4 NEW

Designed by Patricia Urquiola, 2022

60W - 2340lm - 2700K - CRI> 95

Suspension lamp with diffused light emission available in linear and organic compositions. Tubular structure made of aluminium and CNC aluminium terminals with matte or metallized finish. Edge Lighting technology integrated. Light units can be turned by steps of 60° within the structure in order to change the direction of the light emitted. Metal rosette with matte white finish. The integrated electronics in the ceiling rose allow the use of different dimming systems: 1-10V, DALI, push-dim or potentiometer. Useful length of the cable 3 mt. The product has been designed according to the ISCC standards and it is assembled with total absence of glued components so that it can be completely separated for future recyclability.



Are you a professional and your project needs consulting and support?

[BOOK AN APPOINTMENT](#)

Main specifications

EAN	8059607048375
Mounting	Suspension
Environments	Indoor dry location
Light Source Type	LED
LED type	Edge Lighting
Power (W)	60
System flux (lm)	2340

Physical

Colour	Off-white
Length (mm)	1665
Cord colour	Clear
Cord length (mm)	2600
Canopy colour	White
Canopy dimension (mm)	799
Canopy width (mm)	70
Canopy height (mm)	39
Net weight (kg)	10.18
Package volume (m3)	0.22
IP internal	20

Download

[Mounting instructions](#)  PDF

Photometric Files

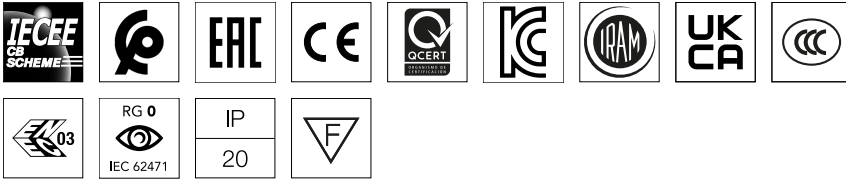
[LDT / IES](#)  LDT

Technical Drawings

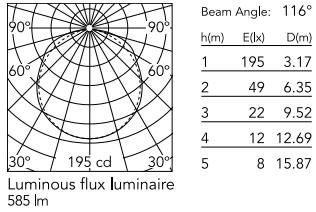
[2D](#)  ZIP

[3D](#)  ZIP

[Bim](#)  ZIP



Schematic light drawing



Photometric

Lighting type	Direct
Light distribution	Symmetric
CCT (K)	2700
CRI>	95

Electrical

Insulation class	I
Frequency (Hz)	50/60
Main voltage (Vac)	220-240
LED voltage Vf (Vdc)	null
Power Supply	Integrated
Dimmable	Yes
Power Supply Type	Dimmable 0-10V, Dimmable Push, Dimmable 1-10V, Dimmable DALI 1
Dimming interface	Remote Dimmable (Dimmer Not Included)
Batteries inside	No

Ecodesign and Energy Labelling

This product contains a light source of energy efficiency class E

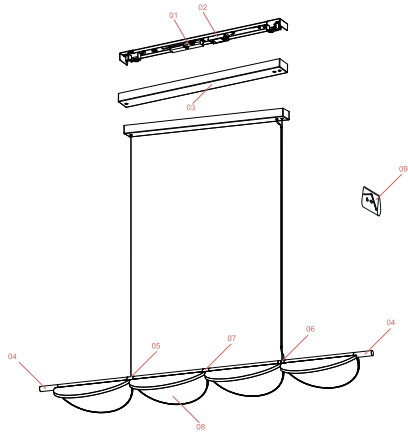


Non-replaceable light source

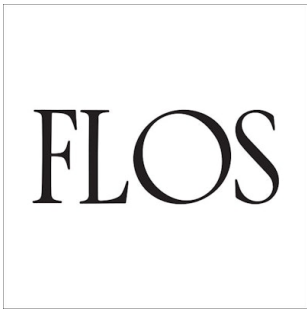


Replaceable control gear by a professional

Spare Parts

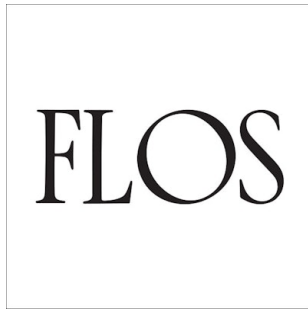


00.	Driver 96W 48V 220-240V	RF32405
00.	Assembly Almendra S Body White	RF32514
00.	Assembly Almendra S Central Feed White	RF32521
00.	Assembly Almendra S Wiring & Connections White	RF32530
00.	Assembly Almendra S Wiring White	RF32569
00.	Terminal Joint L90 Almendra White	RF32773



RF32405

Driver 96W 48V 220-240V



RF32514

Assembly Almendra S Body White



RF32521

Assembly Almendra S Central
Feed White



RF32530

Assembly Almendra S Wiring &
Connections White



RF32569

Assembly Almendra S Wiring
White



RF32773

Terminal Joint L90 Almendra
White