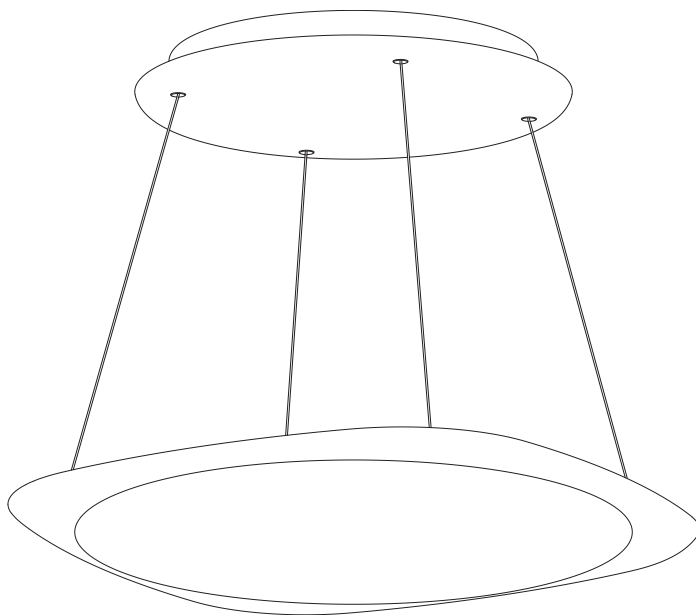


FLYING

white
black
rose

XS33-0
XS33-1
XS33-3



tobias grau

Table of contents

4	Introduction
5	Care instructions / Guarantee
6	Technical data
7	General information / Safety instructions
8	Scope of delivery
9	Dimensions
10	Assembly instructions
16	User Manual – Casambi Bluetooth control
26	Quick troubleshooting

Majestic FLYING floats in space. Freely lowered and raised with patented height adjustment system, this versatile luminaire casts a lavish wash of light for conference rooms, dining tables, or architectural illumination. With its intuitive height-adjustment, FLYING can be set to an infinite number of positions, always shining in a new light.

We create state-of-the-art lights for the home, workplace, and common community spaces. Our designs combine cutting-edge technology with minimalist form to champion the user's creativity and transform the experience of illumination. As an interdisciplinary team, we are proud to develop and produce all our lights at our Hamburg headquarters and channel our holistic vision towards the lighting of tomorrow.

Care instructions

Please clean this luminaire with a dry cloth only. We recommend microfibre cloths for sensitive surfaces. Only clean the luminaire after it has cooled down.

Surface protection: All refined surfaces must be protected against all types of stresses.

Guarantee

You have purchased a high-quality product that was produced and packaged with the utmost care. Should you nevertheless have grounds for complaint, please contact your retailer quoting the final inspection number as stated on the last page of this document. We will deal with your complaint as soon as possible. This guarantee applies only to products that have been installed/assembled correctly – we therefore recommend installation/assembly by a qualified person.

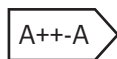
Technical data



LED 4800 lm, CRI 90, 3500–2200 K
PRI 220–240V~/ 50/60Hz / SEC 1000mA / 50 W



Bluetooth dimming possible via Casambi (integrated).
Please refer to the accompanying »Assembly instructions –
Casambi Bluetooth control« on page 38.



Manufactured with LEDs of the highest energy efficiency.



6,6 kg



Protection class 1



Ballast integrated.



Installation to sloped ceilings is not permitted.



This luminaire has been developed for indoor use.



This luminaire must be disposed of properly at the end
of its service life; it must not be disposed of with normal
household waste.



CE-conformity mark

General information

Please read this manual carefully before assembly / mounting. This will help avoid errors that could lead to a malfunction of the luminaire.

Please, keep this manual for future reference.

This luminaire has been developed for indoor use and is intended for the lighting of rooms.

Differences in brightness and white tone of the LED's are conditional of manufacturing and are no reason for a complaint.

The LEDs can be replaced by the manufacturer only.

This product must be checked for visual defects, and/or scratches, before being used. Once the product has been put into operation, the right for a customer to make a complaint due to visual defects expires.

Please only allow the assembly, repair, and disassembly of this product to be carried out by a qualified electrician.

Safety instructions



The luminaire must be disconnected from an electrical supply before assembly or cleaning.

Incorrect installation may result in the luminaire falling down and causing damage to the luminaire itself and persons.

Incorrect connection to electrical supply may cause electrical voltage through the housing of the luminaire and cause serious injury.

The head of the luminaire must not be opened.

Do not put any pressure on the lightpanels.

Candles may not be used under the luminaire.

Scope of delivery

Carton content

Quantity

Luminaire



1

Allen key



1

Screws



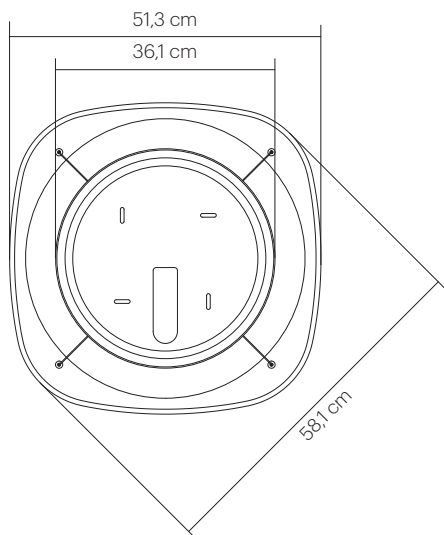
4

Dowels

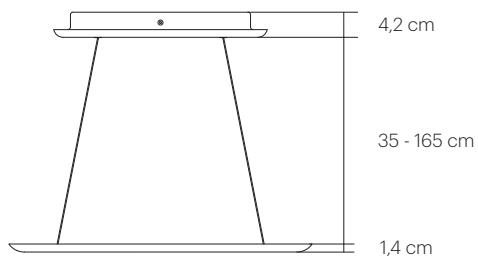


4

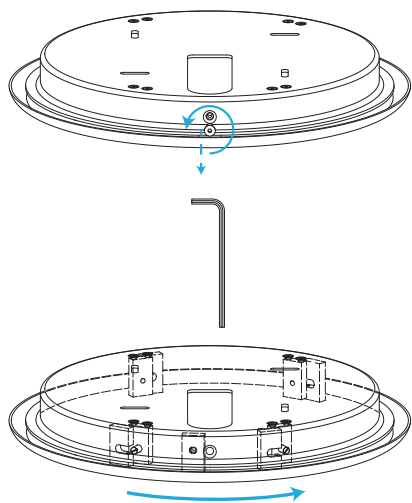
Dimensions



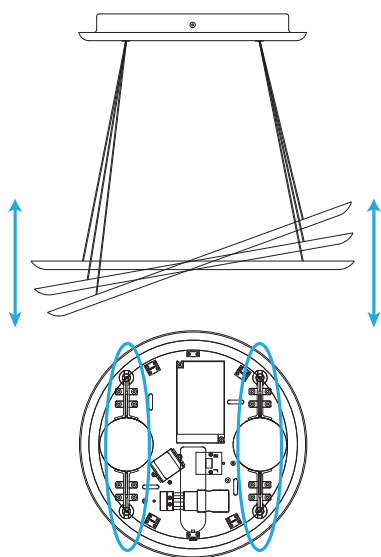
The height adjustment can be adjusted by 130cm. The minimum distance between the lamp head and the ceiling fixture is 35cm. Only the two wires belonging together can be adjusted at the same time. (see page 34)



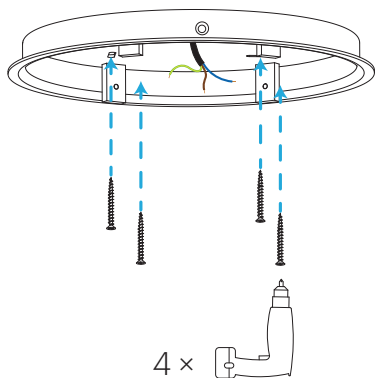
Assembly instructions



Loosen the countersunk screws and unscrew the ceiling fixture cover from the bayonet holder and remove the ceiling fixture cover.

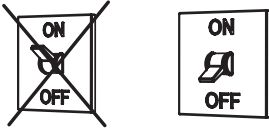


Note the alignment of the ceiling fixture during installation. The luminaire can be tilted over one axis. Only the two wires belonging together can only be adjusted at the same time.

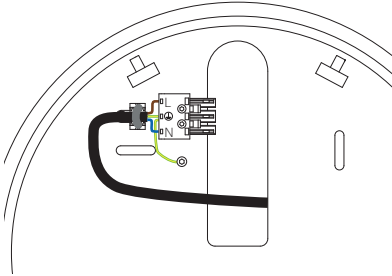


The installer is responsible for choosing the correct fasteners. The installation of this luminaire to sloped ceilings is not permitted.

Assembly instructions



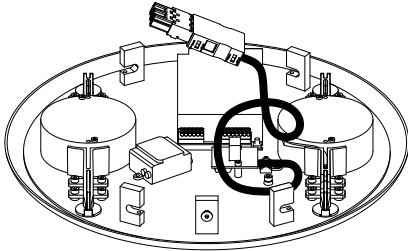
The luminaire must be disconnected from an electrical supply before assembly or cleaning.



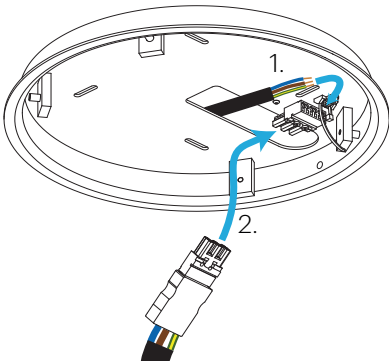
Plug the cable from the ceiling outlet into the terminal clamp and secure it with the strain relief.

Colourcode

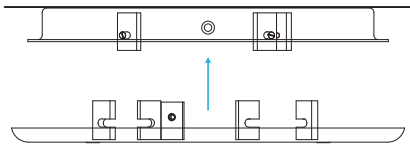
L	brown
N	blue
⊕	green-yellow



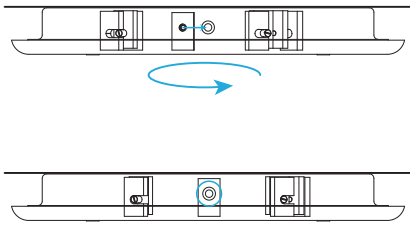
The assembly of this luminaire requires two people. Position the cable as pictured, before connecting the clamp, to ensure a flawless assembly.



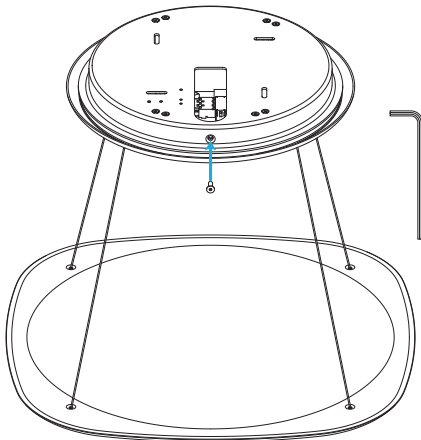
Connect the WAGO terminal clamp from the ceiling fixture to the ceiling fixture cover.



Bring the ceiling fixture cover as close to the ceiling fixture as possible.

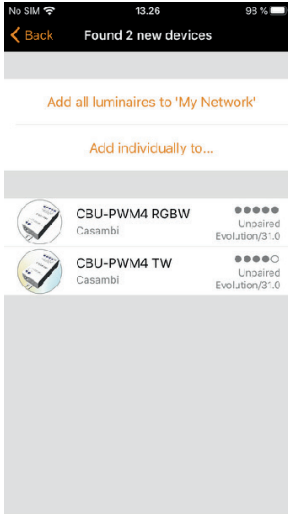


Twist the ceiling fixture cover as far as it will go. The countersunk hole and the thread behind it show whether the bayonet is properly engaged.



Tighten the screw to secure the ceiling fixture cover.

User Manual – Casambi Bluetooth control

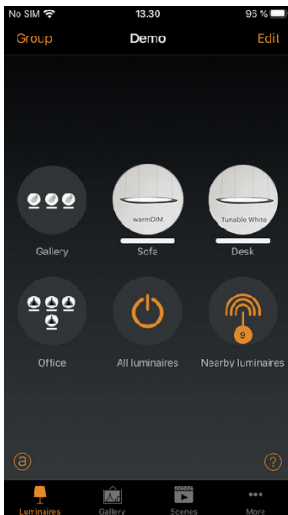


First time use

Download the app from Apple App Store or Google Play Store.

Switch on your Casambi enabled luminaires and open the app. The Casambi app will automatically find all Casambi enabled luminaires that are switched on.

Select »Take all luminaires into use« Casambi app will automatically add all of the located luminaires to one network and open the »Luminaires« tab.



Basic gestures



To turn off or on your luminaire just tap on the luminaire control.

Pan luminaire control left or right to adjust light level of the luminaire.

Pan luminaire control up or down to adjust the colour temperature of the luminaire.

Hold on top of the luminaire control to change the colour or to open multiple dim sliders.

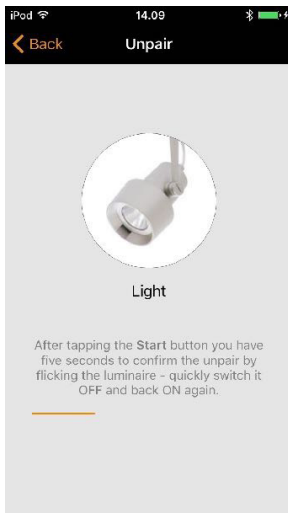


Unpairing a luminaire

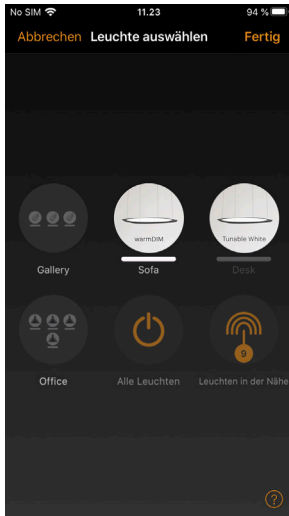
You may need to remove a luminaire from a network if you want to add it to another network. Casambi enabled luminaires can only be in one network at a time.

To unpair a luminaire go to the »Nearby devices« screen found under »More« tab in the Casambi app. Tap on the luminaire you want to unpair and select »Unpair device«. This will unpair the luminaire if you have modification rights to the network.

If you don't have the modification rights to the network that the luminaire is paired to then you need to have access to the luminaire's power switch to unpair it. Tap on the »Unpair device« and the app will open an »Unpair« screen. Tap on the »Start« button and the time bar appears. Now quickly flick the power switch off and back on to unpair the luminaire. If unpairing succeeded there is a message that luminaire has been unpaired.



User Manual – Casambi Bluetooth control



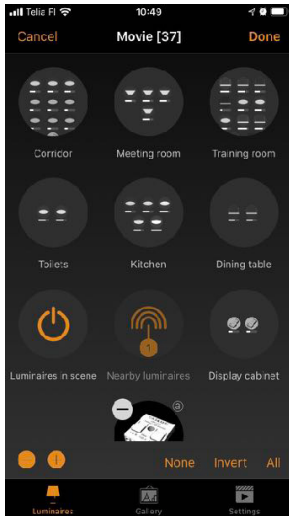
Gallery

The Gallery in Casambi app is the most intuitive way of controlling your luminaires. Take a picture of the room where your luminaires are or add a floor plan and place luminaire controls over them in the picture. You can also take a panorama picture to have more luminaires in one photo.

Add a photo or picture to Casambi Gallery by tapping »Edit« and after that the »+« sign. Next you can add luminaire controls to the picture. Tap on the »+« sign, select a luminaire control that you want to add to the picture and tap »Done«.



After you have added controls over all the luminaires in the picture tap »Done«. Now you can control your luminaires visually from the picture. No need to guess which luminaire is which.



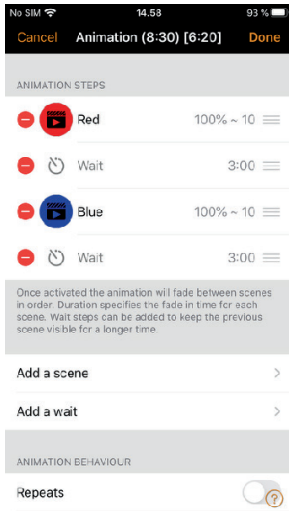
Scenes

Scenes allow you to create different lighting situations for different occasions.

Tap on »Add scene« and enter a name for the scene. To create a basic scene select the »Add scene« option. Select one or multiple luminaire controls and adjust the luminaires for the scene. You can adjust the luminaires separately or if you want to have same dim level or colour for all, you can use the »Luminaires in scene« control. When you are done editing the scene tap on »Done«.

If you would like to create more scenes tap on the »Edit« on top right corner and then tap on the »+« sign.

User Manual – Casambi Bluetooth control



Animations

In the »Scenes« tab it is also possible to create animations. Animations are a special type of scene that fade from one scene to another. Animations can be activated in the same way as standard scenes and it is also possible to set animations to repeat.

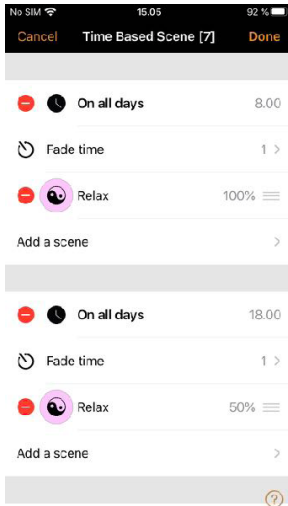
Tap on the »Edit« on top right corner and then tap on the »+« sign. Enter a name and tap on the »Add an animation« option

Add animation steps. You can add scenes and wait times to an animation. Example:

- Add Scene Red, fade time 10 sec
- Add wait 3 min
- Add Scene Blue, fade time 10 sec
- Add wait 3 min

This animation setting will fade in to scene Red in 10 seconds and Red will be active for 3 minutes. Then the Red scene will cross fade into Blue scene in 10 seconds and Blue will stay active for 3 minutes.

In animation settings you can set the animation to repeat and select if it will stay at last step when animation ends. When you are done editing the animation tap on »Done«.



Time-based scenes

Time-based scenes can be used to alter dimming levels of scenes at specific times. This means that the light level of the luminaire can be different at different times of day when activating the same scene.

Tap on the »Edit« on top right corner and then tap on the »+« sign. Enter a name and tap on the »Add a time based scene« option.

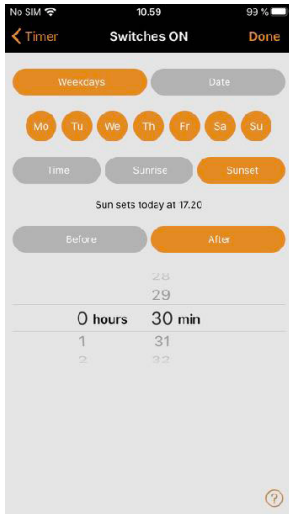
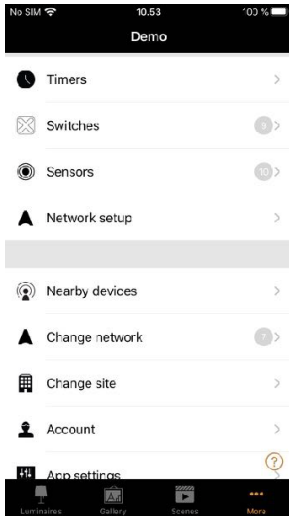
Change the time when first condition should start. Select a scene that should turn on during the first condition. Set the dim level for the scene. It is also possible to change the fade time.

There are two conditions as default but more conditions can be added using the Add a condition option.

When Time Based Scene is activated it will follow the last condition

Please note that non-repeating animations cannot be used with time-based scenes.

User Manual – Casambi Bluetooth control



Timers

With timers you can create a schedule that will turn scenes, animations or time based scenes on and off based on time.

Go to »More« tab and select »Timers«. Create a new timer by tapping the »Add a timer«.

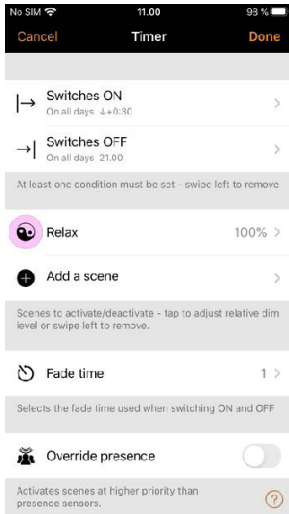
Tap on the »Controlled scenes« and select a scene, animation or time based scene that this timer will control.

Tap on the »Switches ON« button to set the time when the scene should turn on and tap on the »Switches OFF« button to set the time when the scene should turn off.

It is also possible to set a fade time for the timer so that the scene will come on smoothly.

When you are done editing the timer tap on »Done«.

If you want to add another timer tap on the »Edit« and then »+« to add a new timer.

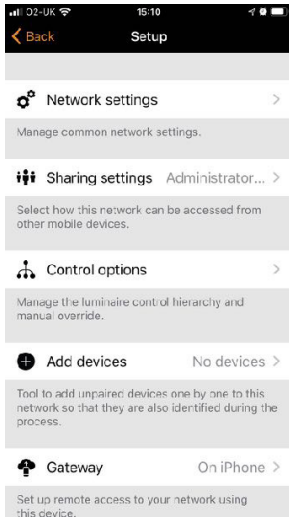


Casambi units will keep track of time when even one unit in the network is powered on all the time. In a situation where all units have been powered off, the network time needs to be set to the units again. In this situation please open the network in the Casambi app with modification rights to set the time again.

A timer's state can also be reactivated by selecting Edit and then selecting the refresh button in the top left corner of the Timers screen.

Tip: Standard timer settings do not always require a start and stop time. For example, multiple timers could be configured to trigger the same scene to different dimming levels throughout a 24-hour period. Therefore only start times would be necessary because the timers would transfer from one to the next.

User Manual – Casambi Bluetooth control



Networks and sharing

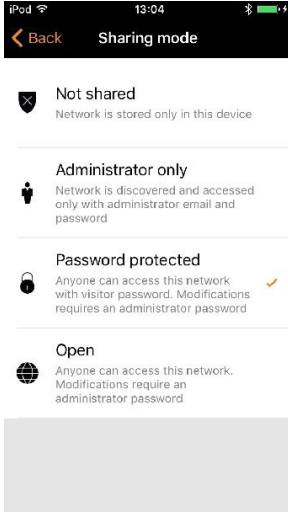
To control luminaires also with other devices the sharing settings need to be changed.

Go to »More« tab and select »Network setup« and »Sharing settings«.

Tap on the »Sharing« and the »Sharing mode« screen will open. There are four different sharing modes: Not Shared, Administrator only, Password protected and Open.

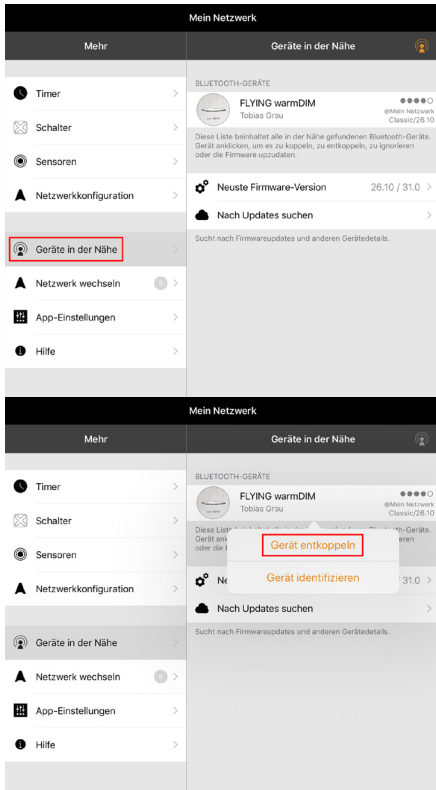
Add an admin email address and a password for the network. Admin email address is needed for remote access and password recovery.

In Classic network a password protected network needs a visitor password. For Evolution networks it is possible to set 10 different passwords with 3 different access levels. Confirm the settings with »Save«.



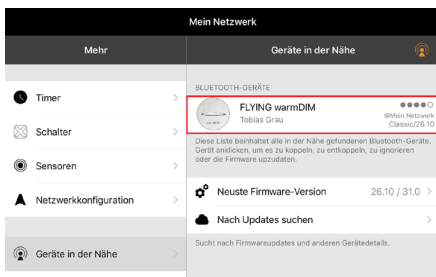
Note that Evolution networks offer three levels of user access: user, manager and administrator. Users can control the lights, Managers can configure the network but not change sharing or security settings. Also adding new devices to the network requires Administrator access to the network.

Profile change – Casambi Bluetooth control

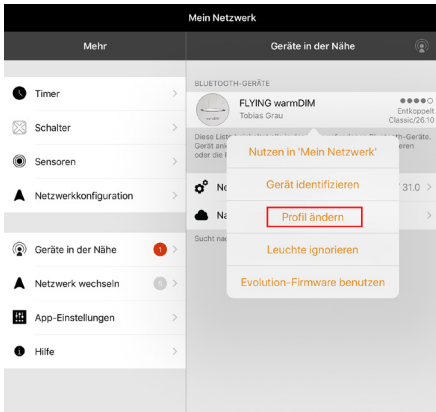


On delivery, the lamp is set to warm-Dim mode. To switch to Tuneable White mode, you must change the profile of the luminaire.

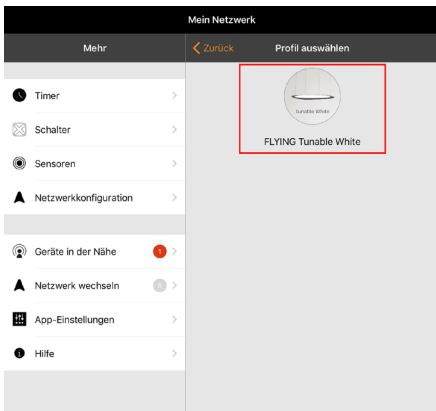
1. Uncouple the luminaire. To do this, go to »Nearby« for nearby devices. Select the FLYING and decouple it.



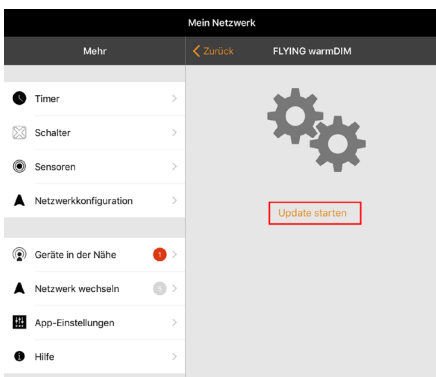
2. Tap the selected luminaire again.



3. Select »Change profile«



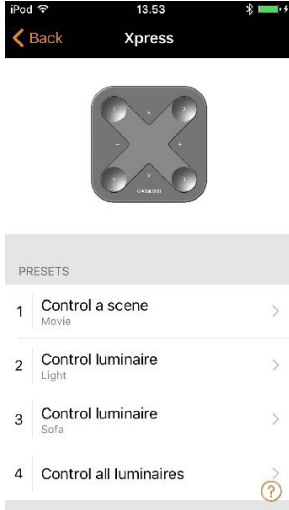
4. Select the »FLYING Tunable White« profile.



5. Start the update.

The luminaire is now in Tuneable White mode and must be added to the desired network again.

Casambi Xpress



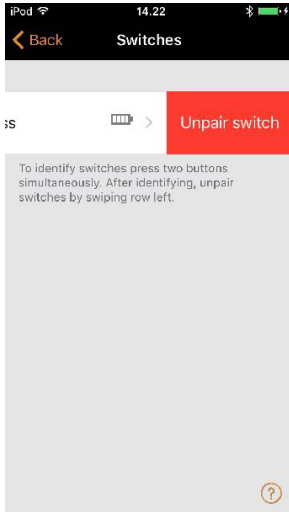
Xpress switch

The optionally available Casambi Xpress is a wireless user interface that brings flexibility to interior design. The switch can be kept wherever the user needs and it gives direct access to all important Casambi lighting control functionalities.

Press any button on the Xpress and you should see four LED lights in the cornel light up. Casambi app will automatically detect the switch and you can add it to the network by tapping on the »Add to My Network« or »Take into use«. If Casambi app does not find the Xpress automatically, please see the unpair section below.

After you have added the Xpress to the network navigate to the »More« tab select »Switches« to configure the numbered preset buttons.

Tap on the switch and the configuration page opens with all configuration options. After configuring the buttons they will now control the assigned scene, luminaire, group, element or resume automation. The first press will turn on the scene, lamp or group and second press will turn it off. The + and - buttons allow you to dim up or down. The up and down buttons can be used to change colour temperature or direct/indirect lighting ratio, provided that your luminaire supports these features.



Unpairing an Xpress

Go to Nearby devices screen (More – Nearby Devices)

Press two buttons in the Xpress at the same time. Tap on the Xpress when it appears in the Nearby Devices list.

Select »Unpair Device« and tap on Start in the unpair screen.

Press one button on the Xpress to unpair the switch.

Make sure that the Xpress has at least one amber LED on when you do the unpairing. You need to perform the steps quite fast before Xpress goes off (no LEDs on).

Quick troubleshooting

<i>Problem</i>	<i>Possible cause</i>	<i>Possible solution</i>
Luminaire can no longer be adjusted in height.	Defective height adjustment.	Contact your authorised dealer or our customer service.
LEDs flicker.	Electronic default.	Restart Casambi.
Luminaire cannot be hung straight using the height adjustment.		The luminaire can also be adjusted minimally via the second axis.
The tunable white function does not function.	Incorrect profile setting in Casambi.	Change the profile of the luminaire in the Casambi app
The luminaire does not function.	Fuse is still switched off.* Power is still switched off via switch.* Malfunctioning electronics.	*Check the connection of the luminaire. (see page 25) Contact your authorised dealer or our customer service.
Casambi app does not find Casambi enabled luminaire.	It might be paired to a network that the mobile device in use does not have access to.	The luminaire needs to be unpaired before it is possible to control the luminaire.

Final inspection number

2 year guarantee

5 year guarantee of LED



TOBIAS GRAU GmbH
Siemensstrasse 35b
25462 Rellingen
tobiasgrau.com
info@tobiasgrau.com